

Vivenis

3-hole basin mixer 90 with pop-up waste set

Surfaces: **Matt White** Article Number: **75033700**



Description

product features

- consists of: 3-hole basin mixer, waste set
- ComfortZone 90
- projection 150 mm
- spray type: WaterfallStream
- maximum flow rate at 3 bar: 5 l/min
- ceramic valves hot/ cold 90°
- suitable for continuous flow water heaters
- pop-up waste set G 1¼
- material waste set: metal
- connection type: G ¾ connections
- connection dimension: DN15

Technology



Design awards

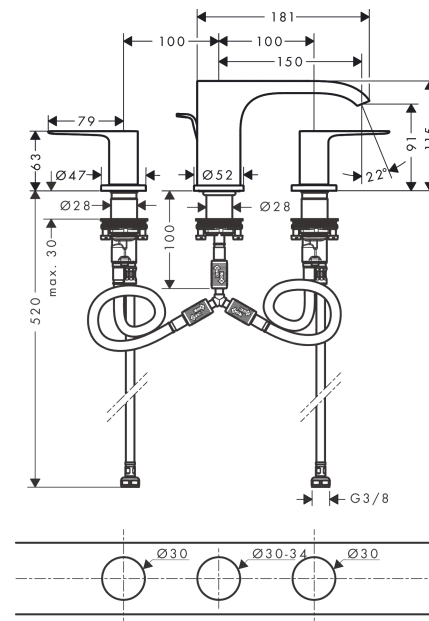


reddot winner 2021

Product image



Scale drawing



Flowchart

